


Legend

 Beachline CSP Starwood

Sources: Esri, HERE, DeLorme, USGS, Intermap, INCREMENT P, NRCan, Esri Japan, METI, Esri China (Hong Kong), Esri Korea, Esri (Thailand), MapmyIndia, NGCC, © OpenStreetMap contributors, and the GIS User Community

Starwood N-1A, N-2A & N-3A, Ditch & Conceptual Roads

Orange County, Florida

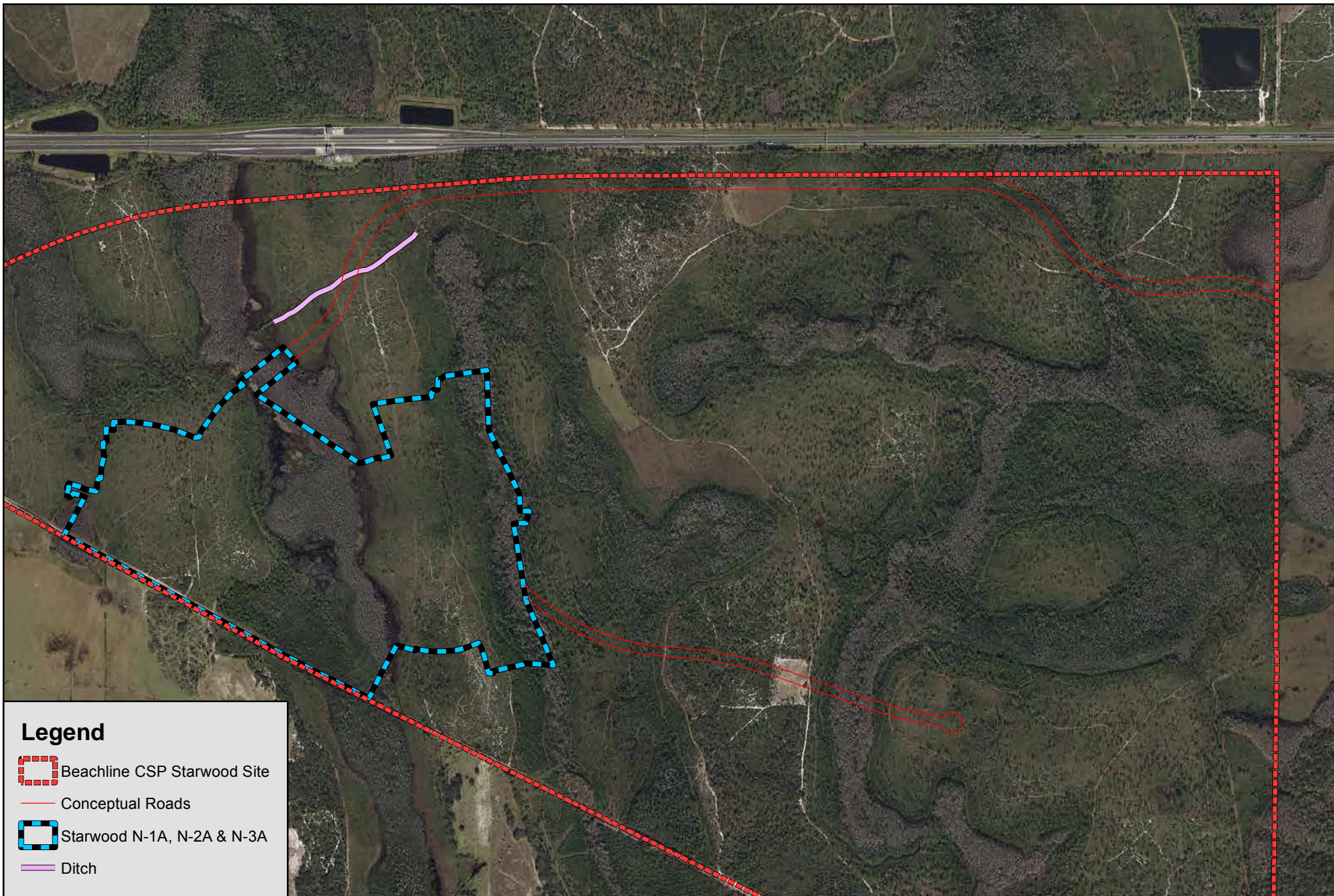
Figure 1

Location Map

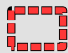
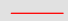

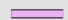


0 1 2 Miles

Project #: 525-27
 Produced By: JDH
 Date: 6/9/2017

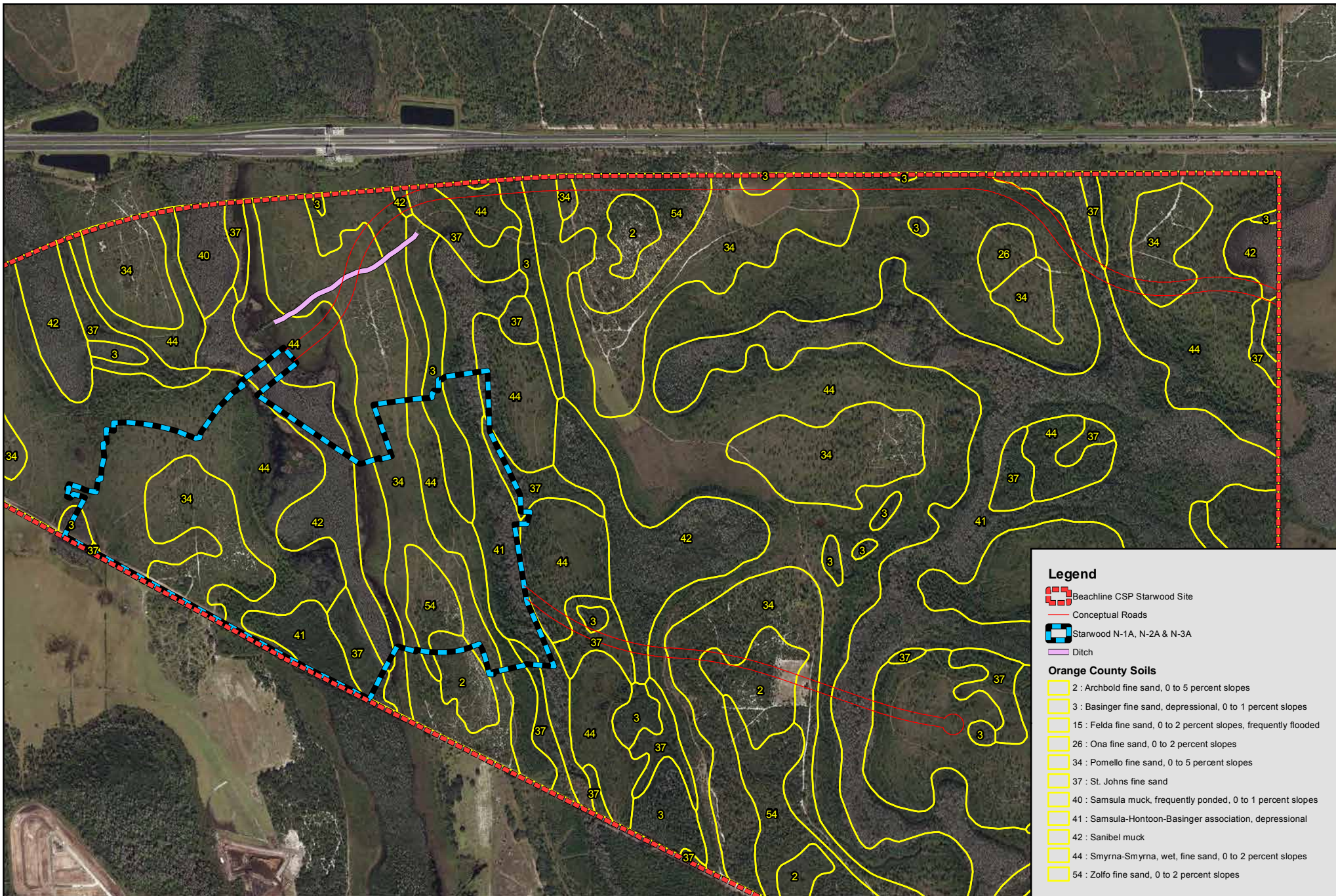


Legend

-  Beachline CSP Starwood Site
-  Conceptual Roads
-  Starwood N-1A, N-2A & N-3A
-  Ditch

Starwood N-1A, N-2A & N-3A, Ditch & Conceptual Roads
 Orange County, Florida
 Figure 2
 2016 Orange County Aerial Map





Legend

- Beachline CSP Starwood Site
- Conceptual Roads
- Starwood N-1A, N-2A & N-3A
- Ditch

Orange County Soils

- 2 : Archbold fine sand, 0 to 5 percent slopes
- 3 : Basinger fine sand, depressional, 0 to 1 percent slopes
- 15 : Felda fine sand, 0 to 2 percent slopes, frequently flooded
- 26 : Ona fine sand, 0 to 2 percent slopes
- 34 : Pomello fine sand, 0 to 5 percent slopes
- 37 : St. Johns fine sand
- 40 : Samsula muck, frequently ponded, 0 to 1 percent slopes
- 41 : Samsula-Hontoon-Basinger association, depressional
- 42 : Sanibel muck
- 44 : Smyrna-Smyrna, wet, fine sand, 0 to 2 percent slopes
- 54 : Zolfo fine sand, 0 to 2 percent slopes

Starwood N-1A, N-2A & N-3A, Ditch & Conceptual Roads

Orange County, Florida

Figure 4

USDA - NRCS Soil Map

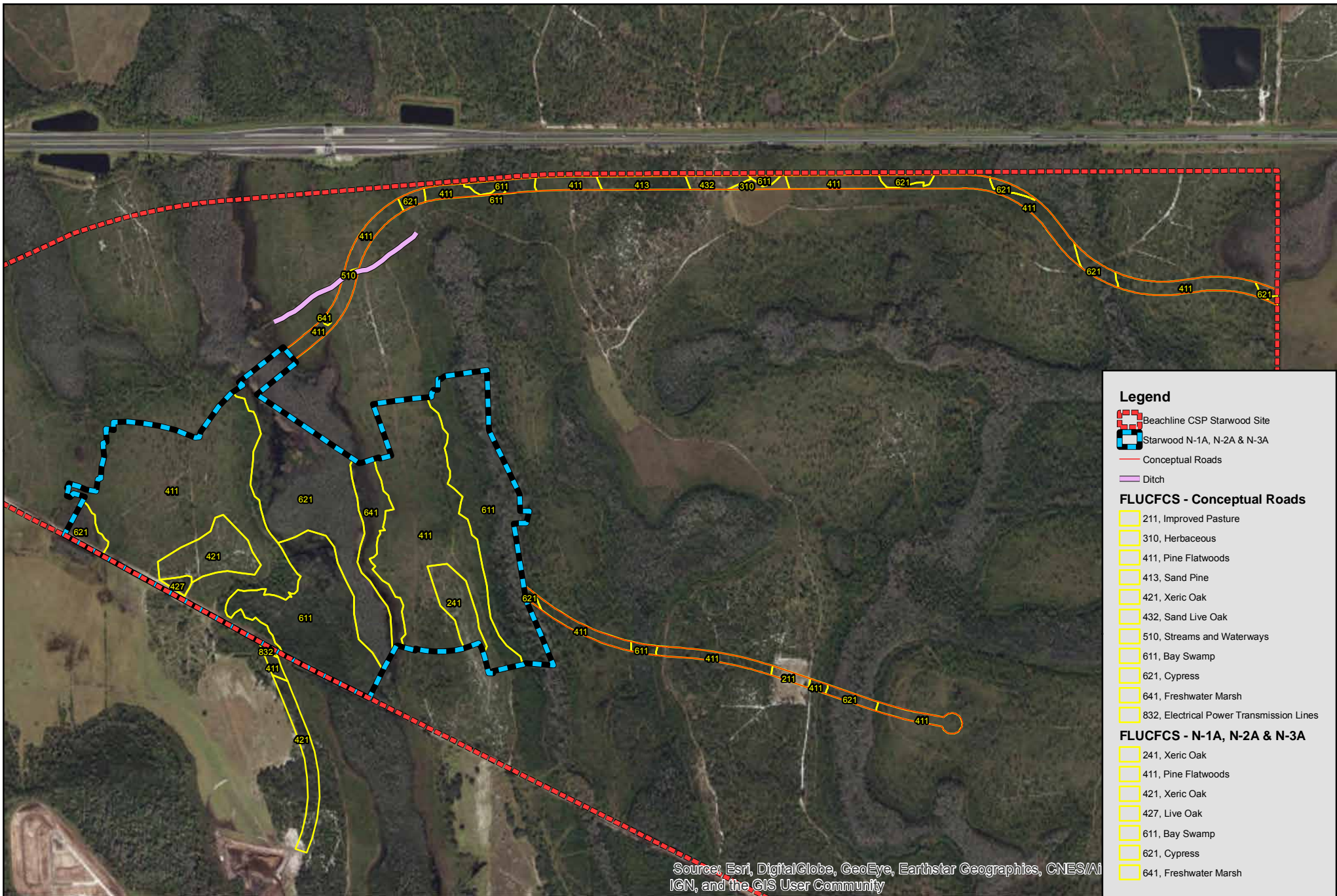
0 700 1,400 Feet

Project #: 525-27

Produced By: JDH

Date: 6/12/2017





Legend

- Beachline CSP Starwood Site
- Starwood N-1A, N-2A & N-3A
- Conceptual Roads
- Ditch

FLUCFCS - Conceptual Roads

- 211, Improved Pasture
- 310, Herbaceous
- 411, Pine Flatwoods
- 413, Sand Pine
- 421, Xeric Oak
- 432, Sand Live Oak
- 510, Streams and Waterways
- 611, Bay Swamp
- 621, Cypress
- 641, Freshwater Marsh
- 832, Electrical Power Transmission Lines

FLUCFCS - N-1A, N-2A & N-3A

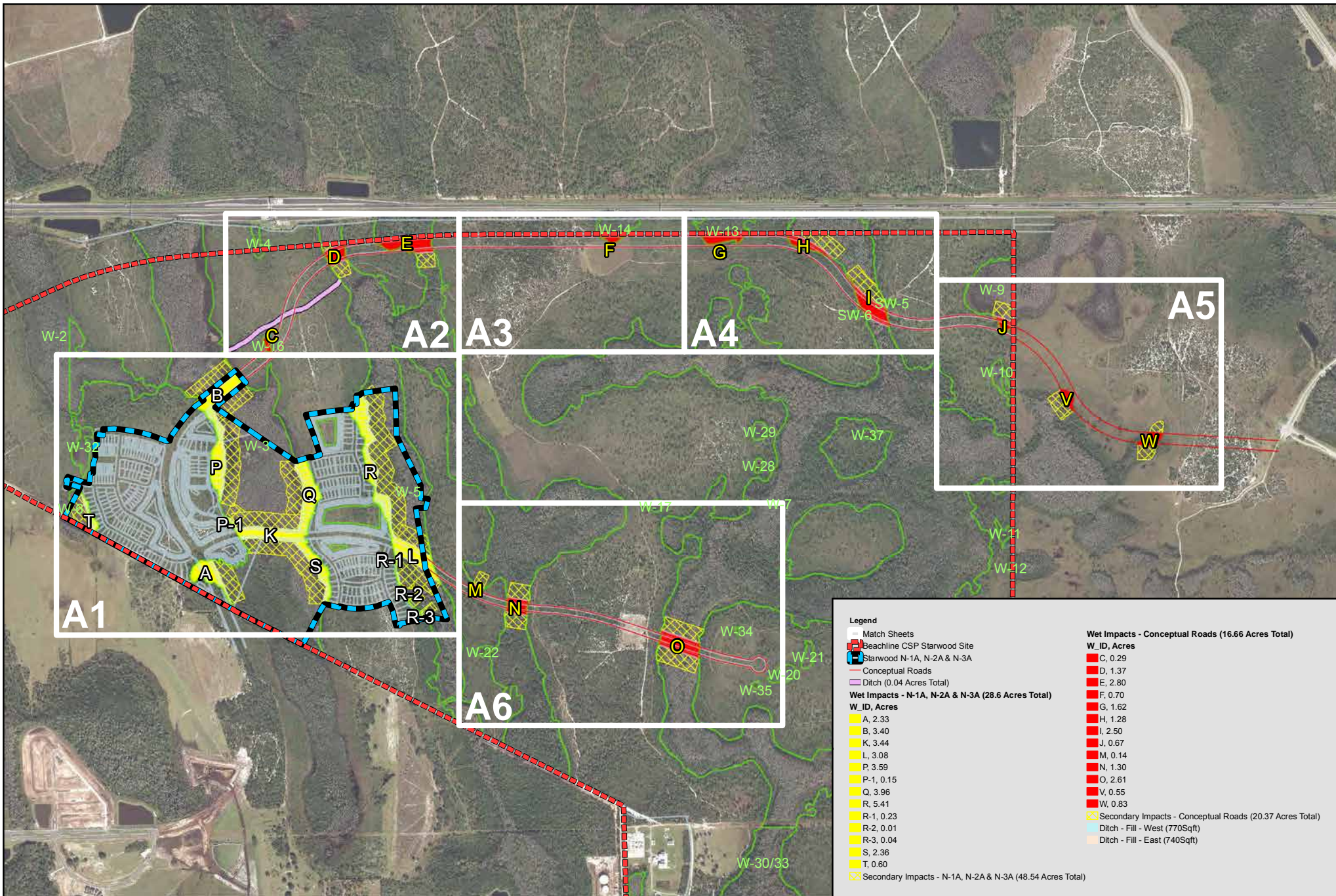
- 241, Xeric Oak
- 411, Pine Flatwoods
- 421, Xeric Oak
- 427, Live Oak
- 611, Bay Swamp
- 621, Cypress
- 641, Freshwater Marsh

Source: Esri, DigitalGlobe, GeoEye, Earthstar Geographics, CNES/Airbus, IGN, and the GIS User Community

Starwood N-1A, N-2A & N-3A, Ditch & Conceptual Roads
 Orange County, Florida
 Figure 5
 FLUCFCS Map



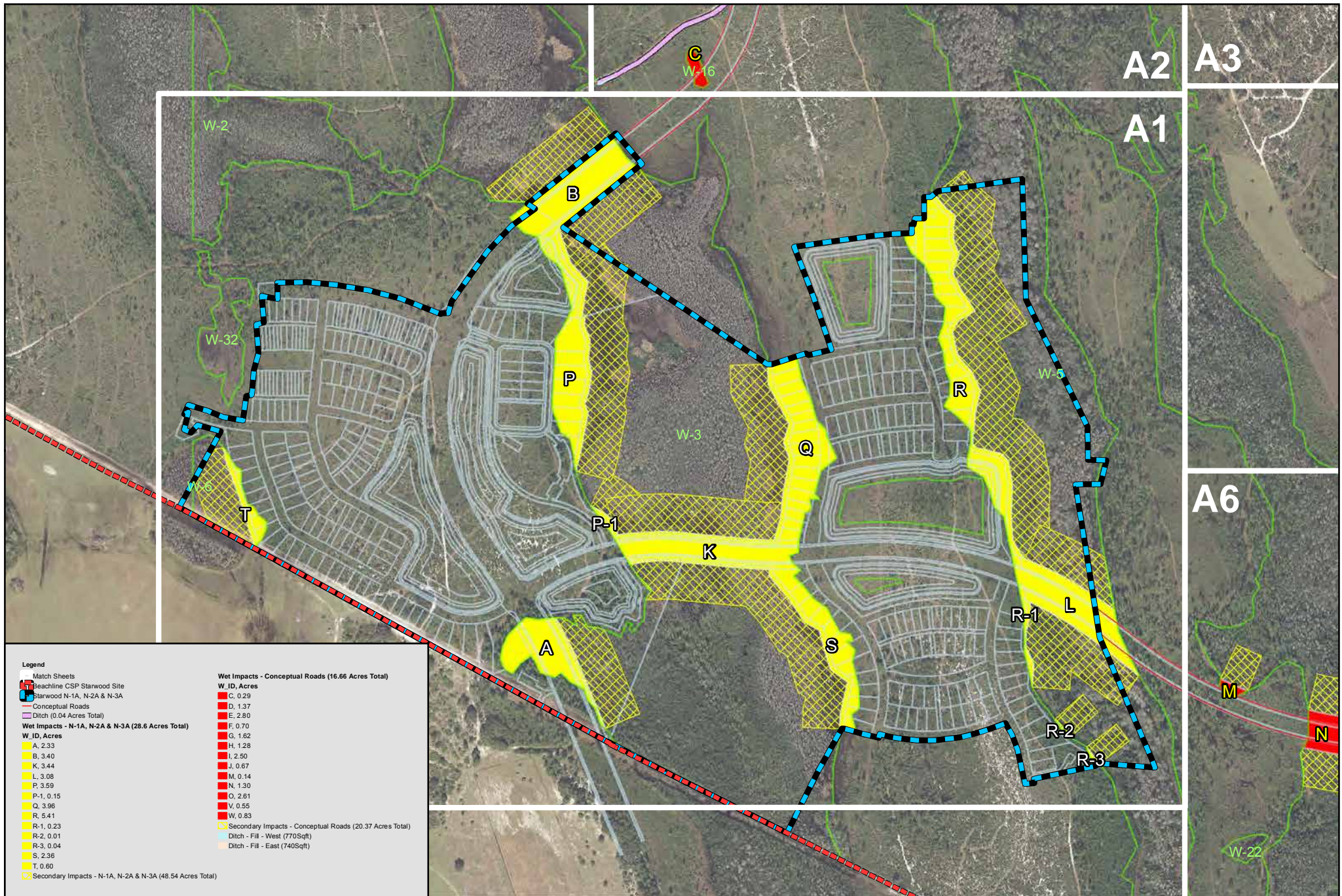
0 700 1,400
 Feet
 Project #: 525-27
 Produced By: JDH
 Date: 6/13/2017



Starwood N-1A, N-2A & N-3A, Ditch & Conceptual Roads
 Orange County, Florida
 Figure 6
 Wetland Impact Map



0 750 1,500
 Feet
 Project #: 525-27
 Produced By: JDH
 Date: 6/19/2017



Starwood N-1A, N-2A & N-3A, Ditch & Conceptual Roads
 Orange County, Florida
 Figure 6 - A1
 Wetland Impact Map



Legend

- Match Sheets
- Beachline CSP Starwood Site
- Starwood N-1A, N-2A & N-3A
- Conceptual Roads
- Ditch (0.04 Acres Total)

Wet Impacts - N-1A, N-2A & N-3A (28.6 Acres Total)

W_ID, Acres

- A, 2.33
- B, 3.40
- K, 3.44
- L, 3.08
- P, 3.59
- P-1, 0.15
- Q, 3.96
- R, 5.41
- R-1, 0.23
- R-2, 0.01
- R-3, 0.04
- S, 2.36
- T, 0.60

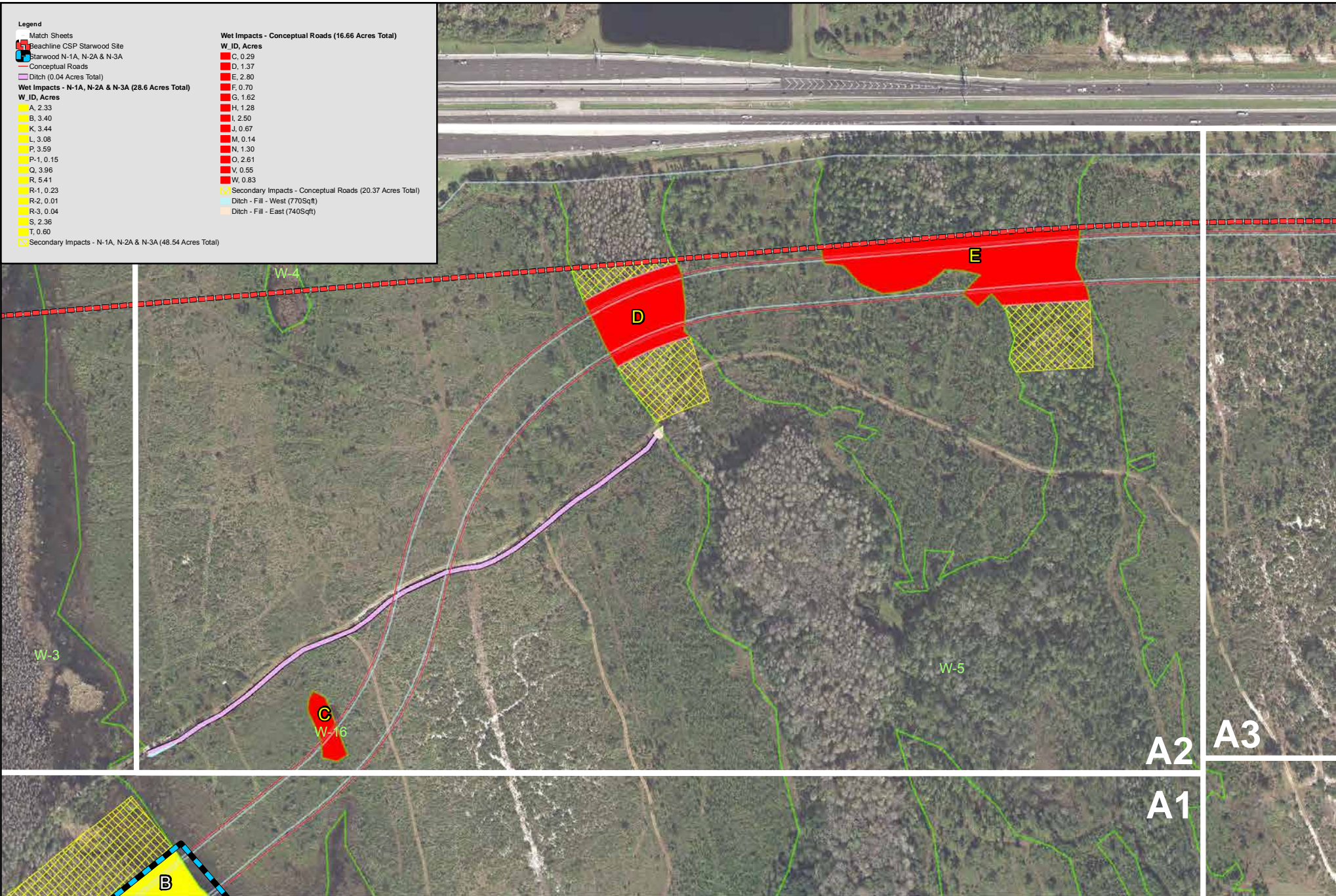
Wet Impacts - Conceptual Roads (16.66 Acres Total)

W_ID, Acres

- C, 0.29
- D, 1.37
- E, 2.80
- F, 0.70
- G, 1.62
- H, 1.28
- I, 2.50
- J, 0.67
- M, 0.14
- N, 1.30
- O, 2.61
- V, 0.55
- W, 0.83

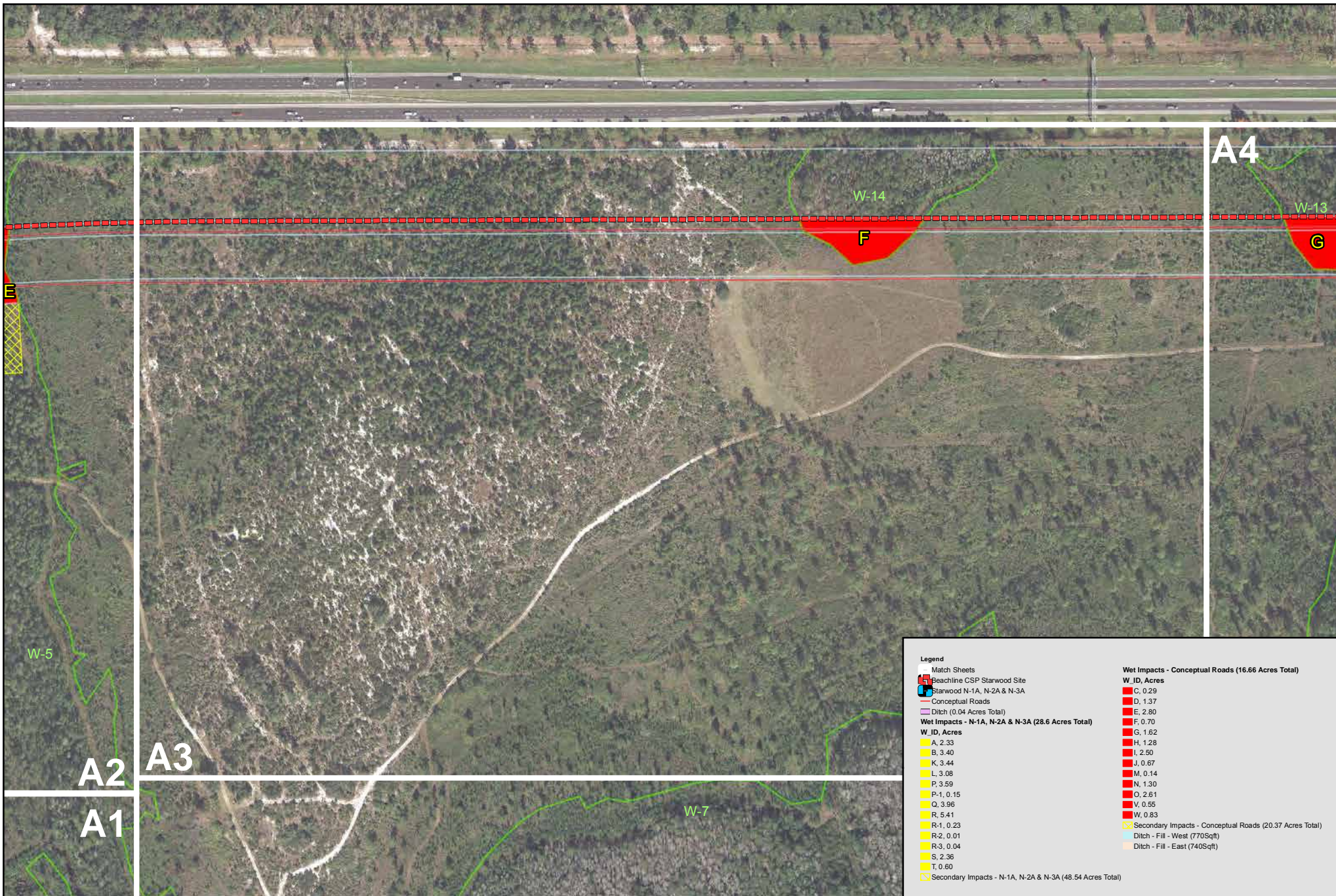
Secondary Impacts - Conceptual Roads (20.37 Acres Total)

- Ditch - Fill - West (770Sqft)
- Ditch - Fill - East (740Sqft)



Starwood N-1A, N-2A & N-3A, Ditch & Conceptual Roads
 Orange County, Florida
 Figure 6 - A2
 Wetland Impact Map

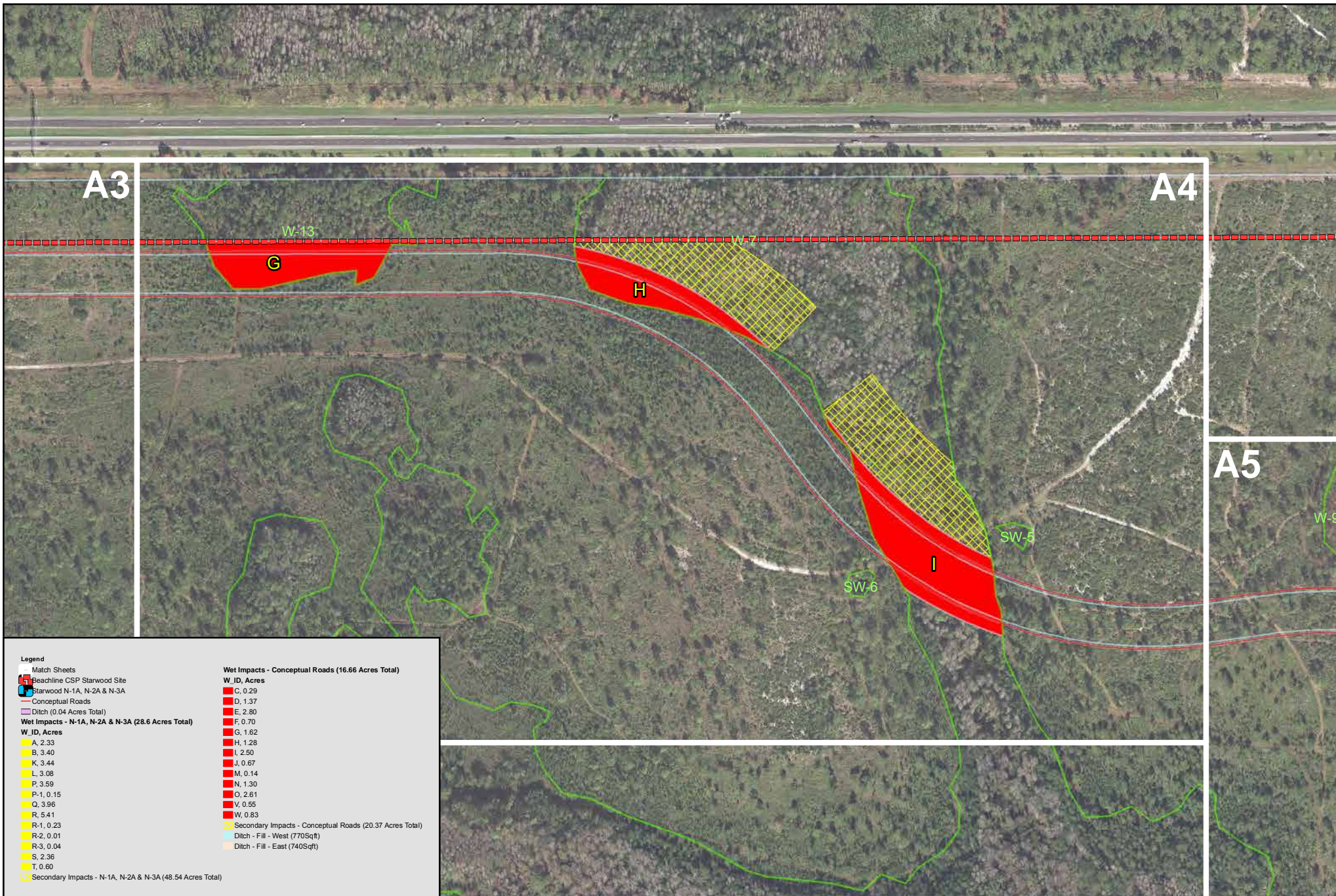




Legend	
	Match Sheets
	Starwood N-1A, N-2A & N-3A
	Conceptual Roads
	Ditch (0.04 Acres Total)
Wet Impacts - N-1A, N-2A & N-3A (28.6 Acres Total)	
W_ID, Acres	Wet Impacts - Conceptual Roads (16.66 Acres Total)
A, 2.33	C, 0.29
B, 3.40	D, 1.37
K, 3.44	E, 2.80
L, 3.08	F, 0.70
P, 3.59	G, 1.62
P-1, 0.15	H, 1.28
Q, 3.96	I, 2.50
R, 5.41	J, 0.67
R-1, 0.23	M, 0.14
R-2, 0.01	N, 1.30
R-3, 0.04	O, 2.61
S, 2.36	V, 0.55
T, 0.60	W, 0.83
Secondary Impacts - N-1A, N-2A & N-3A (48.54 Acres Total)	Secondary Impacts - Conceptual Roads (20.37 Acres Total)
	Ditch - Fill - West (770Sqft)
	Ditch - Fill - East (740Sqft)

Starwood N-1A, N-2A & N-3A, Ditch & Conceptual Roads
 Orange County, Florida
 Figure 6 - A3
 Wetland Impact Map



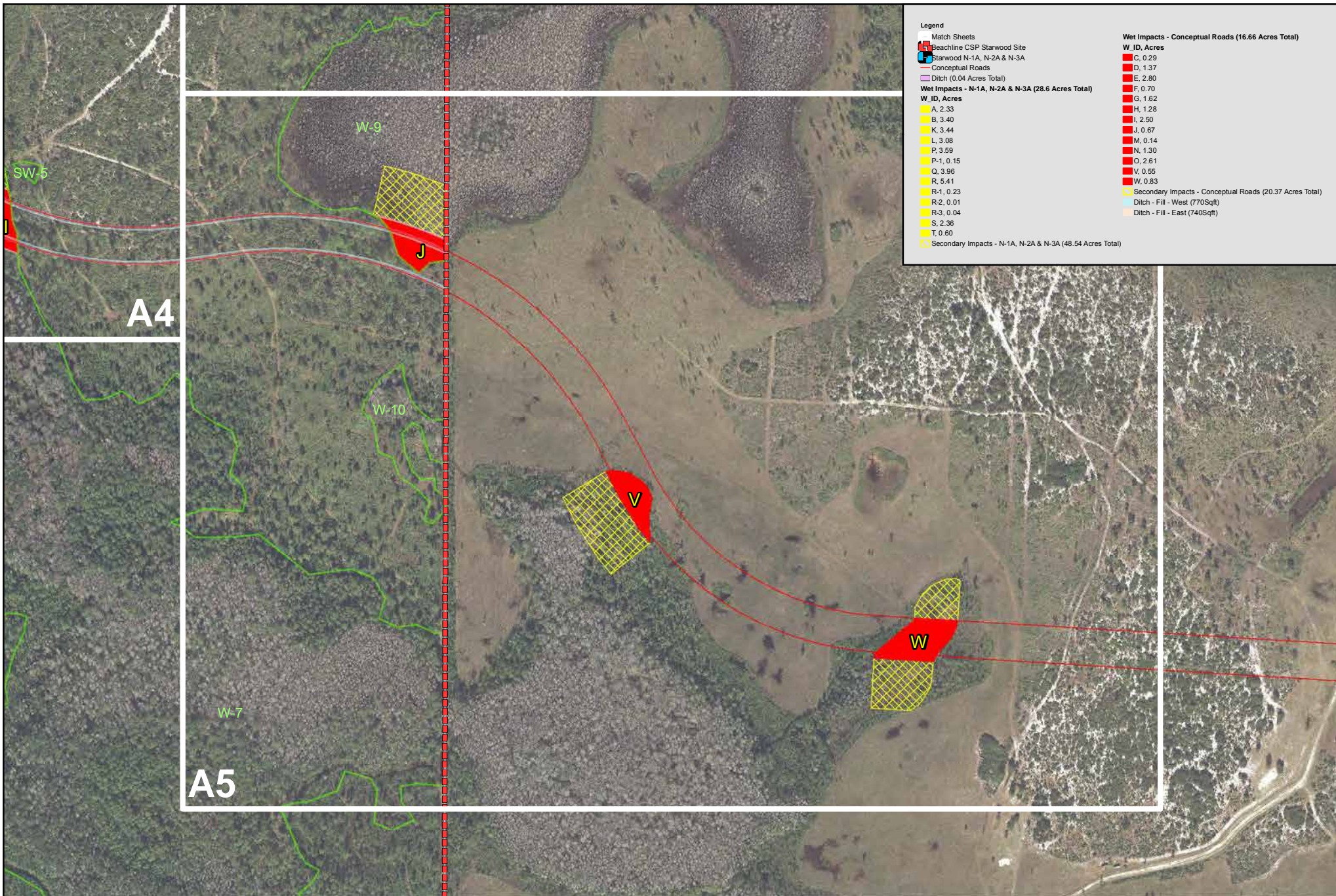


Legend	
—	Match Sheets
■	Beachline CSP Starwood Site
■	Starwood N-1A, N-2A & N-3A
—	Conceptual Roads
—	Ditch (0.04 Acres Total)
Wet Impacts - N-1A, N-2A & N-3A (28.6 Acres Total)	
W_ID, Acres	
■	A, 2.33
■	B, 3.40
■	K, 3.44
■	L, 3.08
■	P, 3.59
■	P-1, 0.15
■	Q, 3.96
■	R, 5.41
■	R-1, 0.23
■	R-2, 0.01
■	R-3, 0.04
■	S, 2.36
■	T, 0.60
■	Secondary Impacts - N-1A, N-2A & N-3A (48.54 Acres Total)
Wet Impacts - Conceptual Roads (16.66 Acres Total)	
W_ID, Acres	
■	C, 0.29
■	D, 1.37
■	E, 2.80
■	F, 0.70
■	G, 1.62
■	H, 1.28
■	I, 2.50
■	J, 0.67
■	M, 0.14
■	N, 1.30
■	O, 2.61
■	V, 0.55
■	W, 0.83
■	Secondary Impacts - Conceptual Roads (20.37 Acres Total)
■	Ditch - Fill - West (770Sqft)
■	Ditch - Fill - East (740Sqft)

Starwood N-1A, N-2A & N-3A, Ditch & Conceptual Roads
 Orange County, Florida
 Figure 6 - A4
 Wetland Impact Map



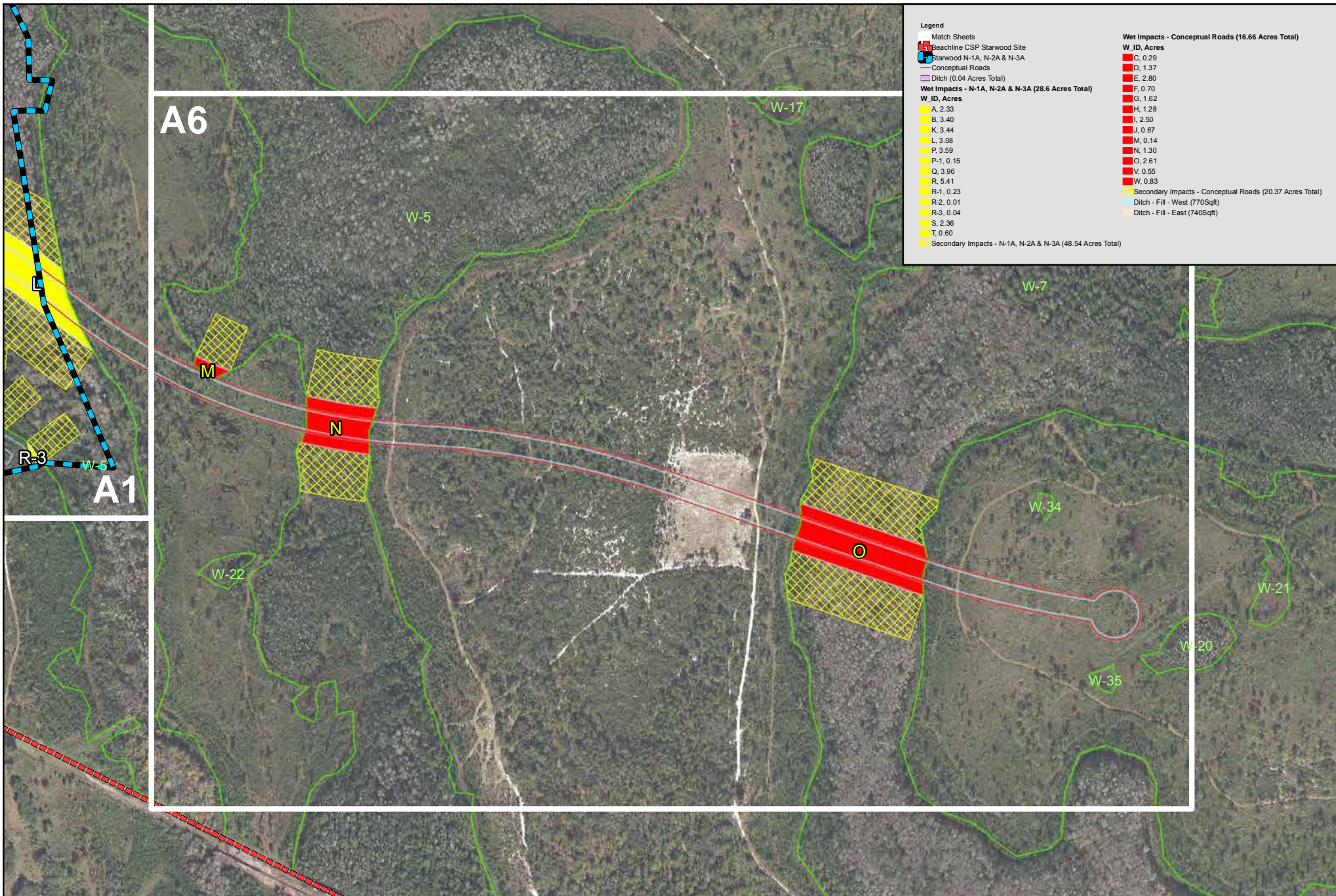
0 215 430 Feet
 Project #: 525-27
 Produced By: JDH
 Date: 6/19/2017



Starwood N-1A, N-2A & N-3A, Ditch & Conceptual Roads
 Orange County, Florida
 Figure 6 - A5
 Wetland Impact Map

0 270 540 Feet
 Project #: 525-27
 Produced By: JDH
 Date: 6/19/2017





Starwood N-1A, N-2A & N-3A, Ditch & Conceptual Roads
 Orange County, Florida
 Figure 6 - A6
 Wetland Impact Map

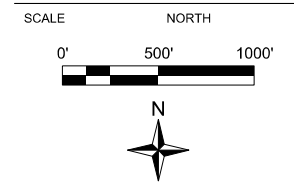
0 287.5 575 Feet
 Project #: 525-27
 Produced By: JDH
 Date: 6/19/2017



**STARWOOD
 ACOE WETLAND
 IMPACT EXHIBITS**
 CITY OF ORLANDO, FLORIDA

6/21/2017

KEY PLAN

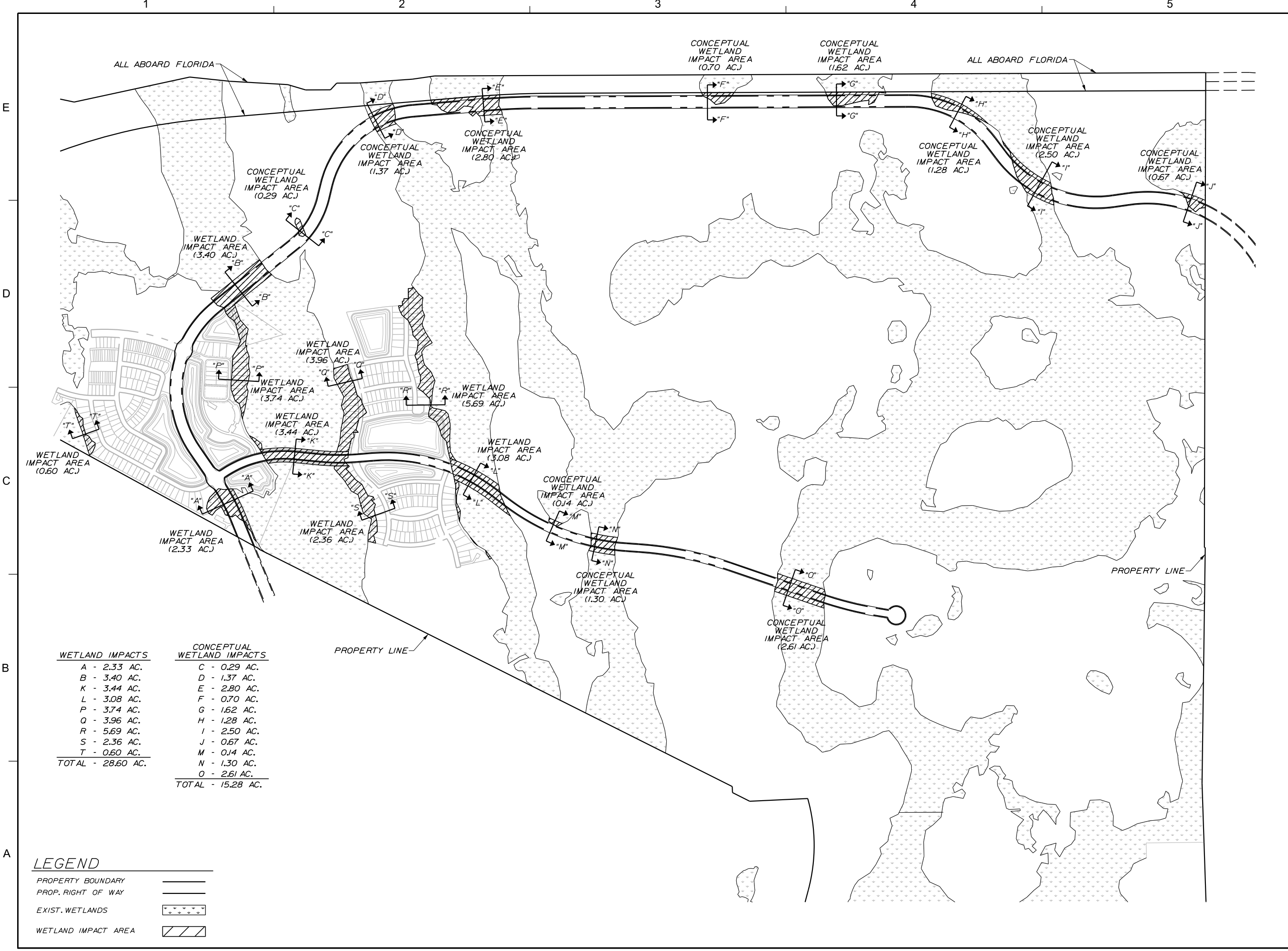


REVISIONS

No.	DATE	BY	Description

PROJECT # 50088752
 DRAWN BY SKH
 APPROVED BY RMJ
 CHECKED BY RMJ
 DATE MARCH 2017
 DATUM NAVD 88

TITLE
**ACOE ENVIRONMENTAL
 CONSIDERATIONS
 PLAN**
 STAR-2/Environmental Cross-Sections
 SHEET NO.



WETLAND IMPACTS	CONCEPTUAL WETLAND IMPACTS
A - 2.33 AC.	C - 0.29 AC.
B - 3.40 AC.	D - 1.37 AC.
K - 3.44 AC.	E - 2.80 AC.
L - 3.08 AC.	F - 0.70 AC.
P - 3.74 AC.	G - 1.62 AC.
Q - 3.96 AC.	H - 1.28 AC.
R - 5.69 AC.	I - 2.50 AC.
S - 2.36 AC.	J - 0.67 AC.
T - 0.60 AC.	M - 0.14 AC.
TOTAL - 28.60 AC.	N - 1.30 AC.
	O - 2.61 AC.
	TOTAL - 15.28 AC.

LEGEND

PROPERTY BOUNDARY	—————
PROP. RIGHT OF WAY	—————
EXIST. WETLANDS	•••••
WETLAND IMPACT AREA	//////

10:02:06 AM ...\\STAR2\ACOE\PH1-3_Env\ConsPlan-01.dgn

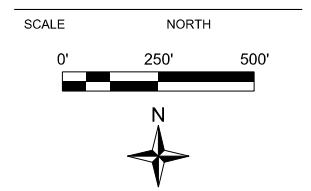
1 2 3 4 5

E
D
C
B
A

STARWOOD
ACOE WETLAND
IMPACT EXHIBITS
 CITY OF ORLANDO, FLORIDA

6/21/2017

KEY PLAN



REVISIONS

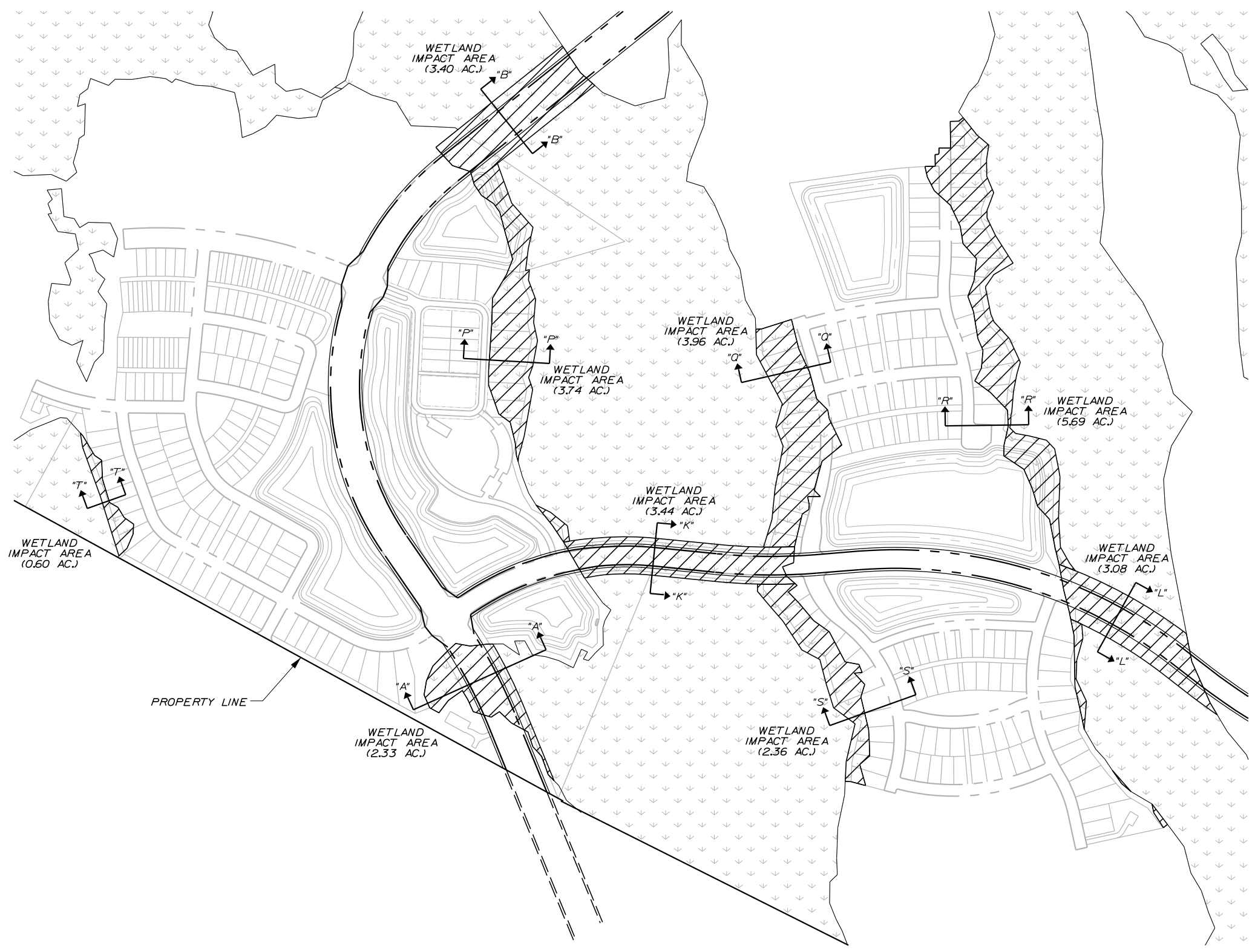
No.	DATE	BY	Description

PROJECT # 50088752
 DRAWN BY SKH
 APPROVED BY RMJ
 CHECKED BY RMJ
 DATE MARCH 2017
 DATUM NAVD 88

TITLE
ACOE ENVIRONMENTAL CONSIDERATIONS PLAN
 STAR-2/Environmental Cross-Sections
 SHEET NO.

LEGEND

- PROPERTY BOUNDARY
- PROP. RIGHT OF WAY
- EXIST. WETLANDS
- WETLAND IMPACT AREA



10:02:09 AM ...\\STAR2\ACOE\PH1-3_EnvConsPlan-02.dgn

1

2

3

4

5

E

D

C

B

A

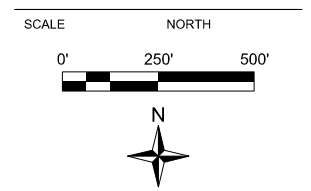


Dewberry Engineers Inc.
 800 NORTH MAGNOLIA AVE
 SUITE 1000
 ORLANDO, FL 32803
 PHONE: 407.843.5120
 ENGINEERING BUSINESS -8794

STARWOOD
 ACOE WETLAND
 IMPACT EXHIBITS
 CITY OF ORLANDO, FLORIDA

6/21/2017

KEY PLAN



REVISIONS

No.	DATE	BY	Description

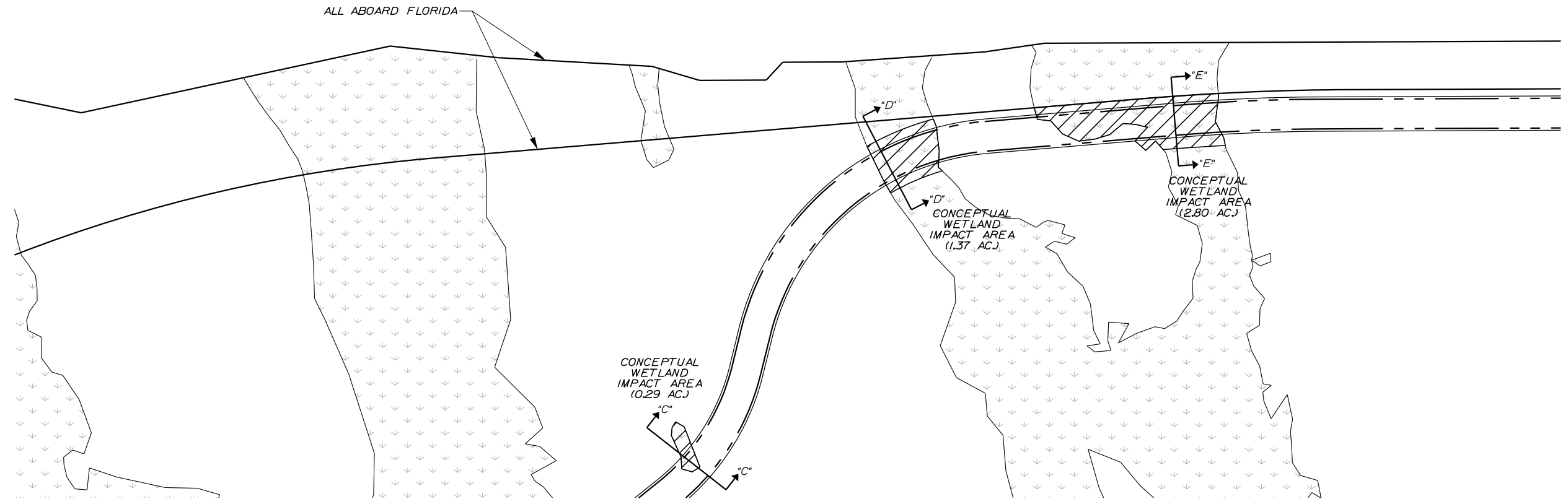
PROJECT # 50088752
 DRAWN BY SKH
 APPROVED BY RMJ
 CHECKED BY RMJ
 DATE MARCH 2017
 DATUM NAVD 88

TITLE
ACOE ENVIRONMENTAL CONSIDERATIONS PLAN
 STAR-2\Environmental\Cross-Sections
 SHEET NO.

3 OF 10

LEGEND

PROPERTY BOUNDARY	
PROP. RIGHT OF WAY	
EXIST. WETLANDS	
WETLAND IMPACT AREA	



10:02:10 AM ...STAR2 ACOE PH1-3 EnvConPlan-03.dgn

1

2

3

4

5

E

D

C

B

A

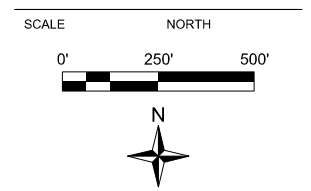


Dewberry Engineers Inc.
 800 NORTH MAGNOLIA AVE
 SUITE 1000
 ORLANDO, FL 32803
 PHONE: 407.843.5120
 ENGINEERING BUSINESS -8794

STARWOOD
 ACOE WETLAND
 IMPACT EXHIBITS
 CITY OF ORLANDO, FLORIDA

6/21/2017

KEY PLAN



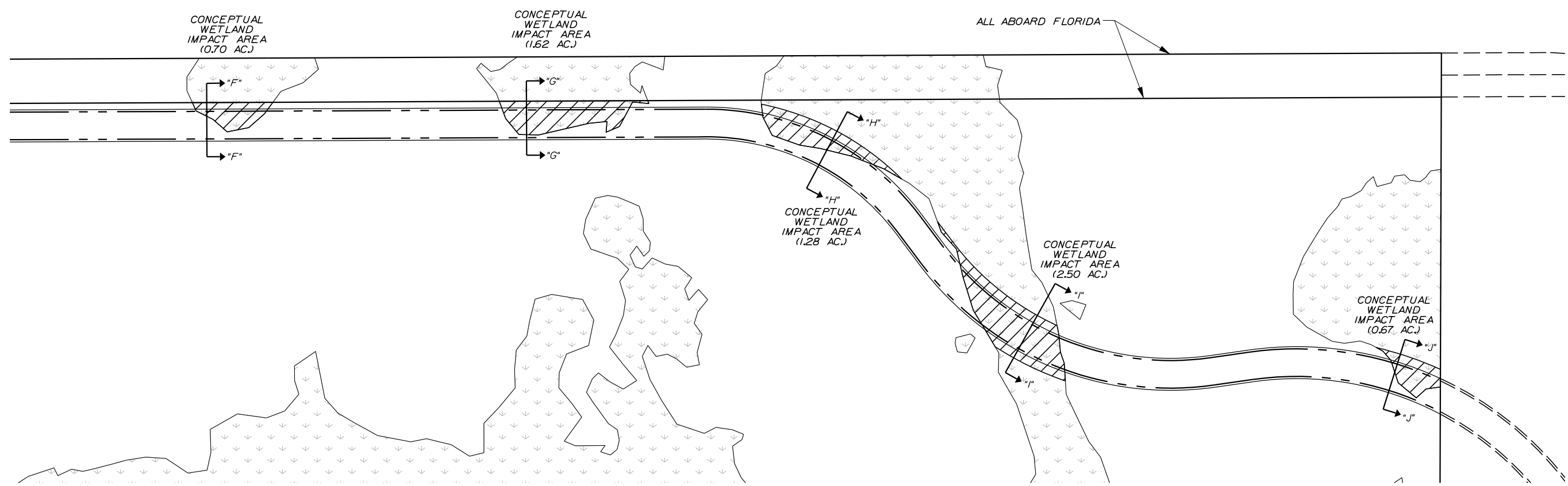
REVISIONS

No.	DATE	BY	Description

PROJECT # 50088752
 DRAWN BY SKH
 APPROVED BY RMJ
 CHECKED BY RMJ
 DATE MARCH 2017
 DATUM NAVD 88

TITLE
ACOE ENVIRONMENTAL CONSIDERATIONS PLAN
 STAR-2/Environmental Cross-Sections
 SHEET NO.

4 OF 10



LEGEND

PROPERTY BOUNDARY	———
PROP. RIGHT OF WAY	———
EXIST. WETLANDS	***
WETLAND IMPACT AREA	///

10:02:12 AM ...\\STAR2\ACOE\PH1-3_Env\CompPlan-04.dgn

1

2

3

4

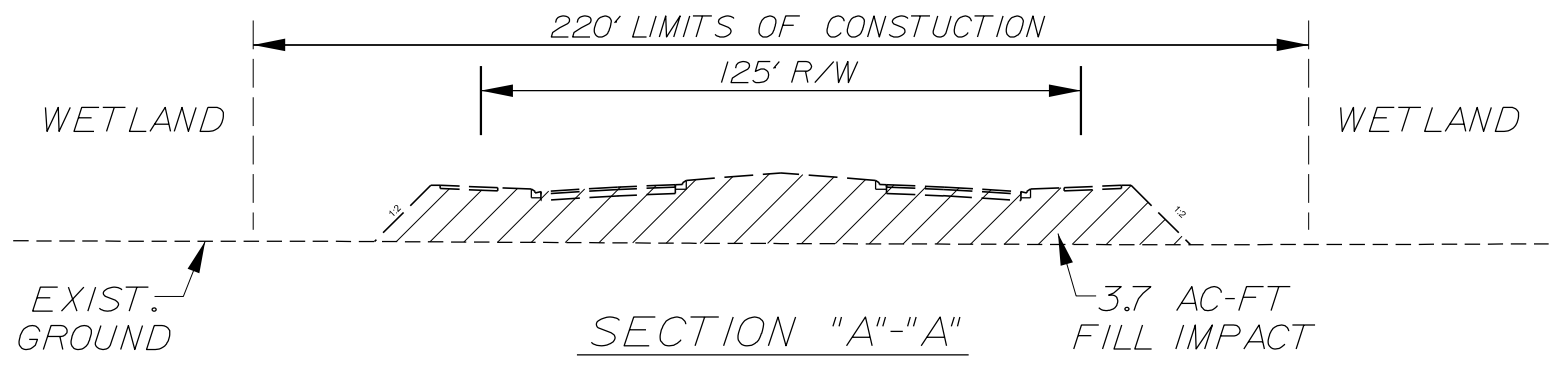
5

 FILL IMPACT AREA

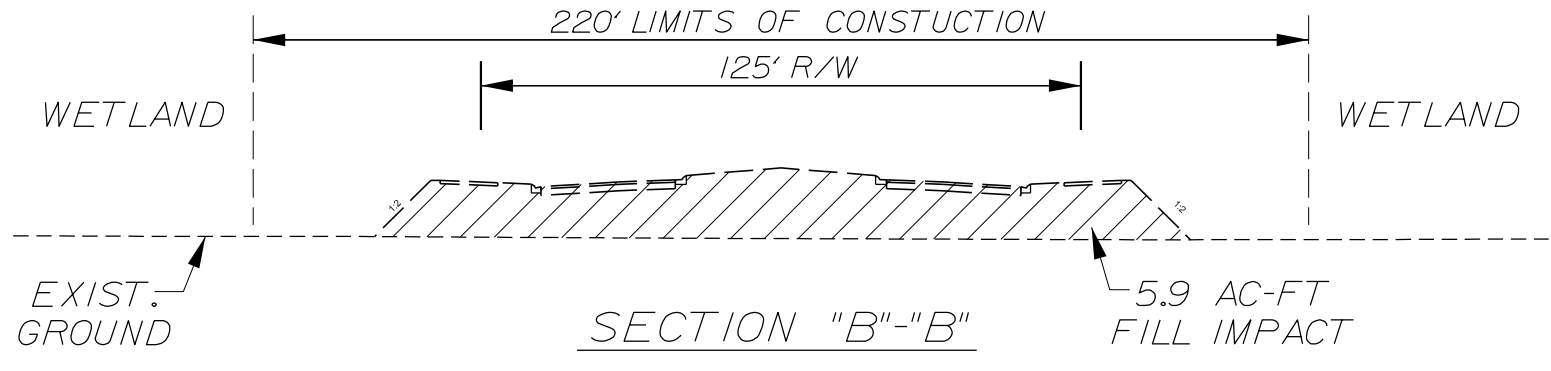


Dewberry Engineers Inc.
800 NORTH MAGNOLIA AVE
SUITE 1000
ORLANDO, FL 32803
PHONE: 407.843.5120
ENGINEERING BUSINESS -8794

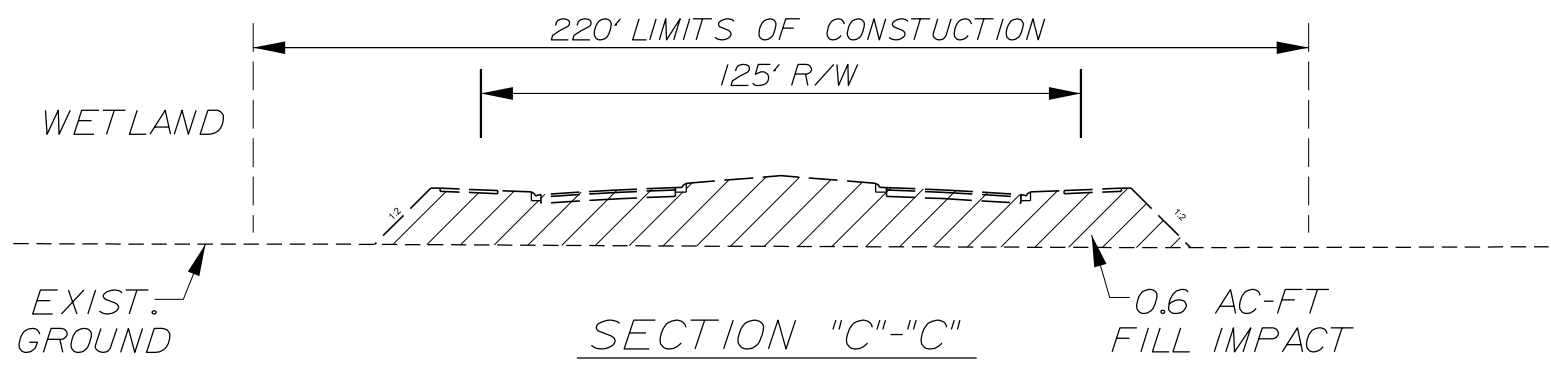
E



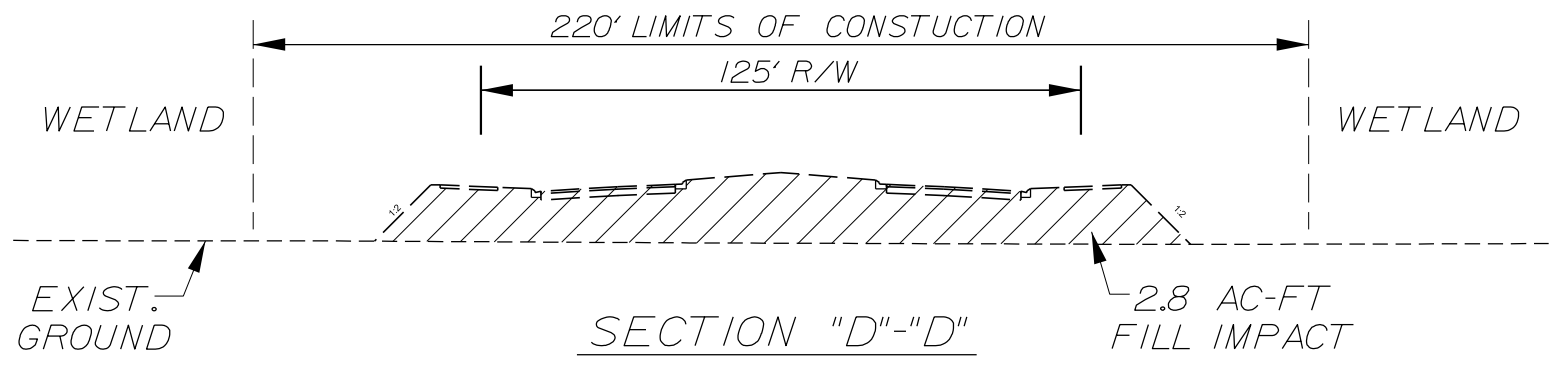
D



C



B



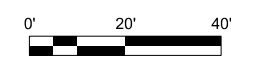
A

STARWOOD
ACOE WETLAND
IMPACT EXHIBITS
CITY OF ORLANDO, FLORIDA

6/21/2017

KEY PLAN

SCALE



REVISIONS

No.	DATE	BY	Description

PROJECT # 50088752
 DRAWN BY SKH
 APPROVED BY RMJ
 CHECKED BY RMJ
 DATE MARCH 2017
 DATUM NAVD 88

TITLE
ACOE ENVIRONMENTAL CROSS SECTIONS
 STAR-2/Environmental Cross-Sections
 SHEET NO.

6 OF 10

10:02:15 AM ...\\STAR2\ACOE\PH1-3 X-Section-01.dgn

1

2

3

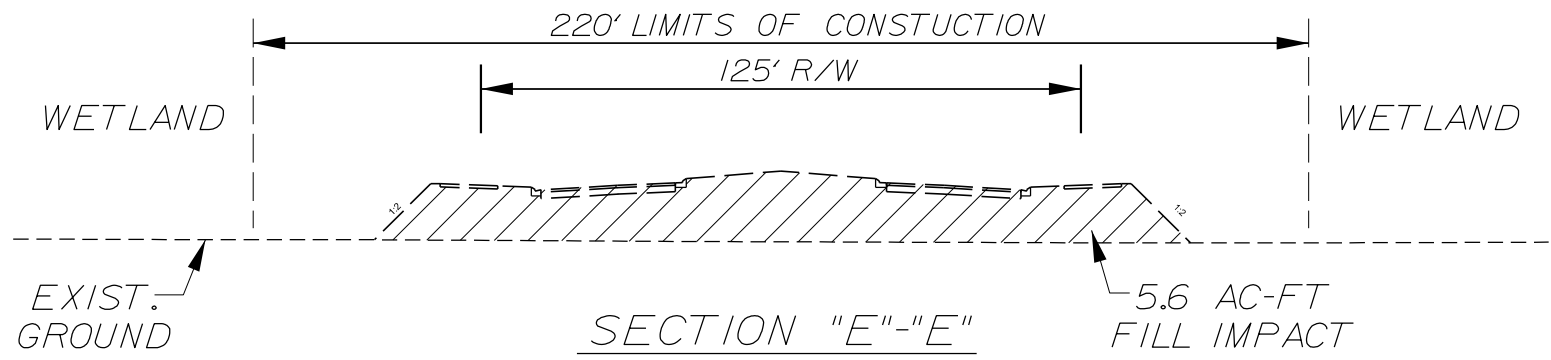
4

5

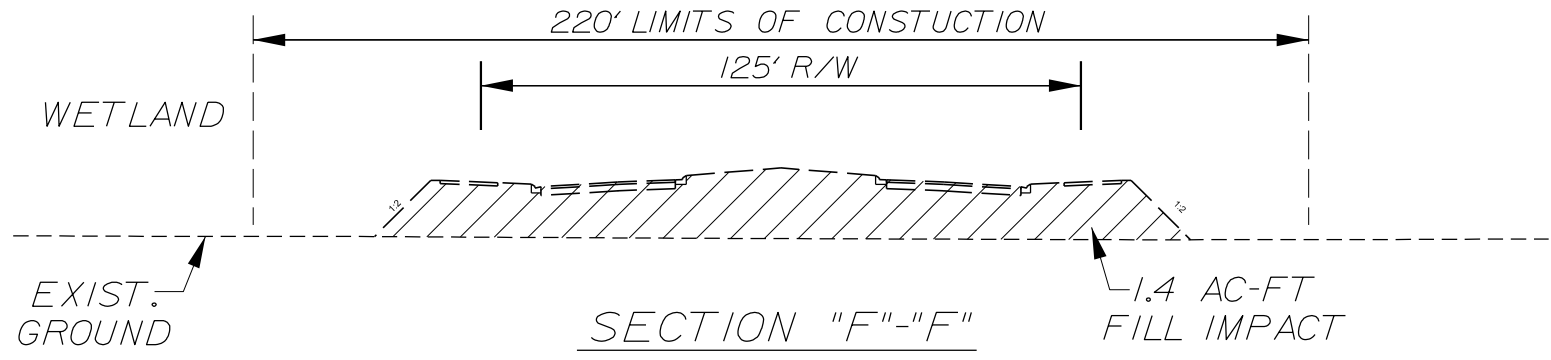


Dewberry Engineers Inc.
 800 NORTH MAGNOLIA AVE
 SUITE 1000
 ORLANDO, FL 32803
 PHONE: 407.843.5120
 ENGINEERING BUSINESS -8794

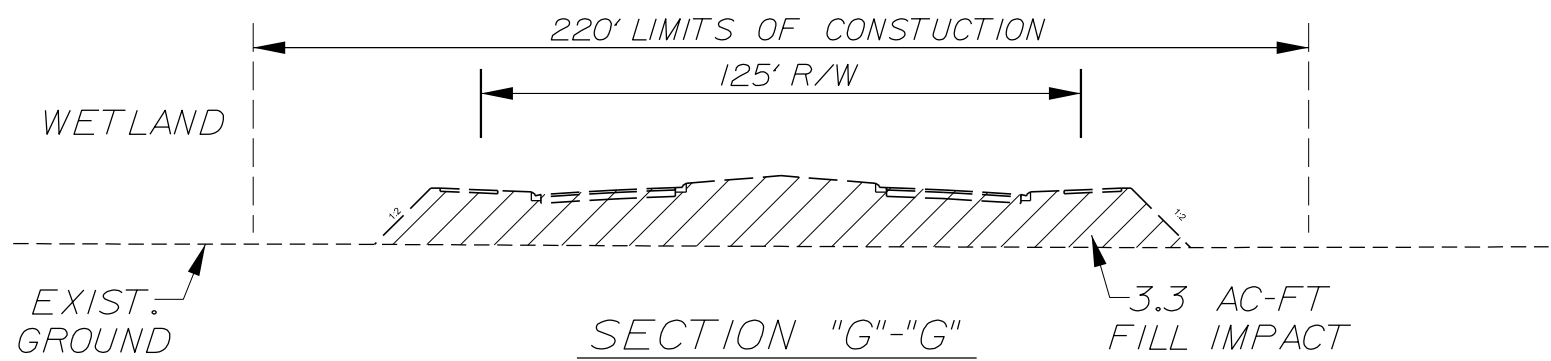
E



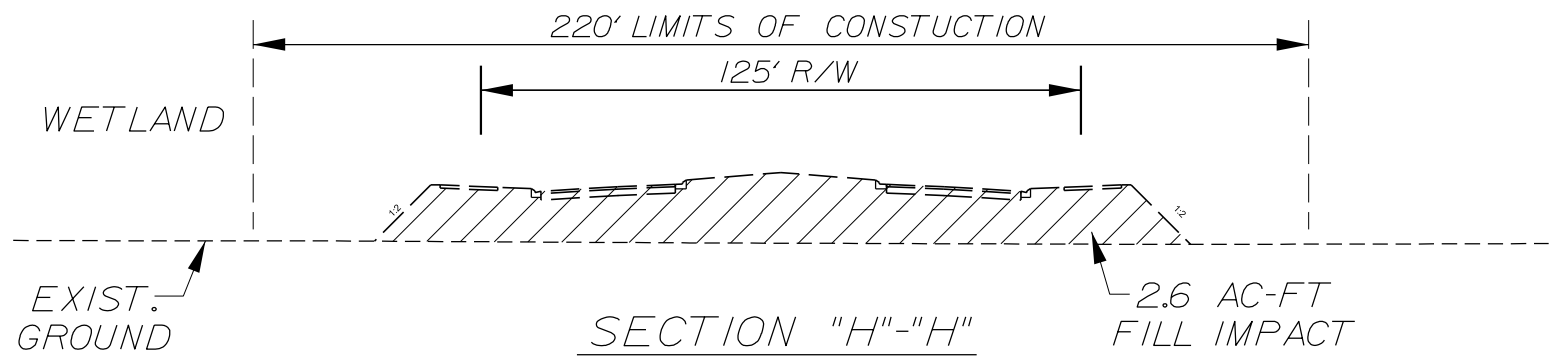
D



C



B



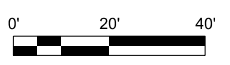
A

STARWOOD
 ACOE WETLAND
 IMPACT EXHIBITS
 CITY OF ORLANDO, FLORIDA

6/21/2017

KEY PLAN

SCALE



REVISIONS

No.	DATE	BY	Description

PROJECT # 50088752
 DRAWN BY SKH
 APPROVED BY RMJ
 CHECKED BY RMJ
 DATE MARCH 2017
 DATUM NAVD 88

TITLE
ACOE ENVIRONMENTAL CROSS SECTIONS
 STAR-2\Environmental Cross-Sections
 SHEET NO.

7 OF 10

10:02:16 AM ...STAR2 ACOE PH1-3 X-Section-02.dgn

1

2

3

4

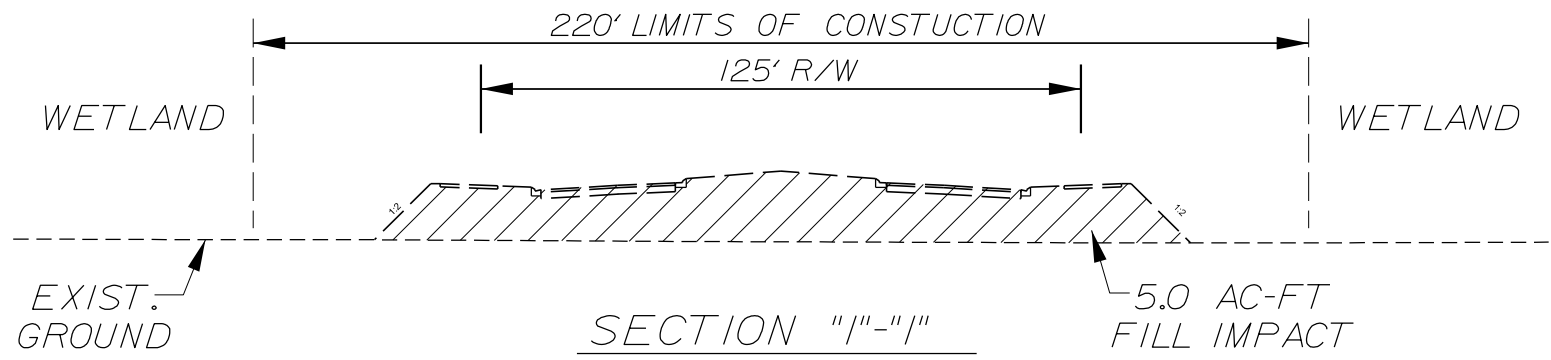
5

 FILL IMPACT AREA

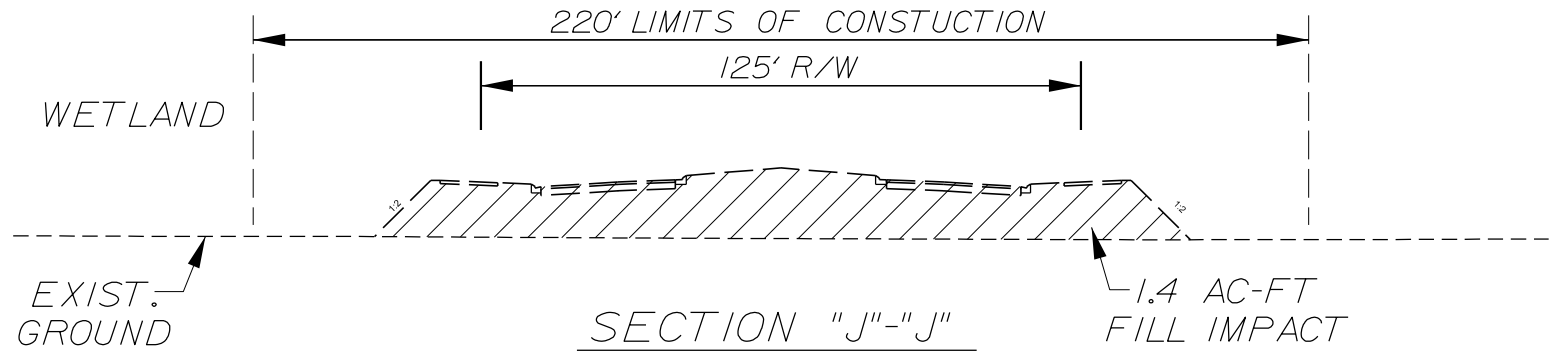


Dewberry Engineers Inc.
800 NORTH MAGNOLIA AVE
SUITE 1000
ORLANDO, FL 32803
PHONE: 407.843.5120
ENGINEERING BUSINESS -8794

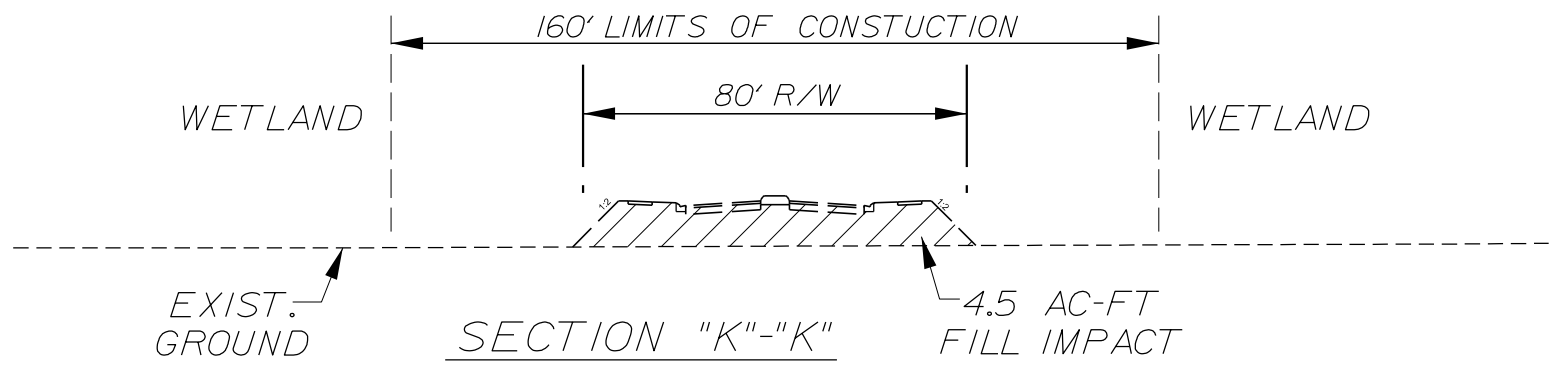
E



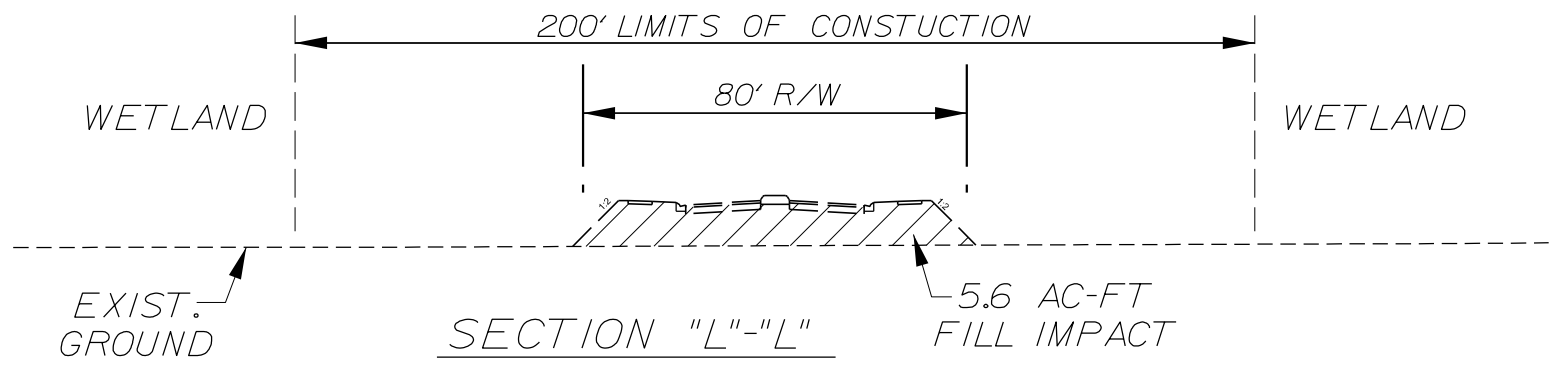
D



C



B



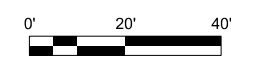
A

STARWOOD
ACOE WETLAND
IMPACT EXHIBITS
CITY OF ORLANDO, FLORIDA

6/21/2017

KEY PLAN

SCALE



REVISIONS

No.	DATE	BY	Description

PROJECT # 50088752
 DRAWN BY SKH
 APPROVED BY RMJ
 CHECKED BY RMJ
 DATE MARCH 2017
 DATUM NAVD 88

TITLE
ACOE ENVIRONMENTAL CROSS SECTIONS
 STAR-2/Environmental Cross-Sections
 SHEET NO.

8 OF 10

10:02:18 AM ...\\STAR2\ACOE\PH1-3 X-Section-03.dgn

1

2

3

4

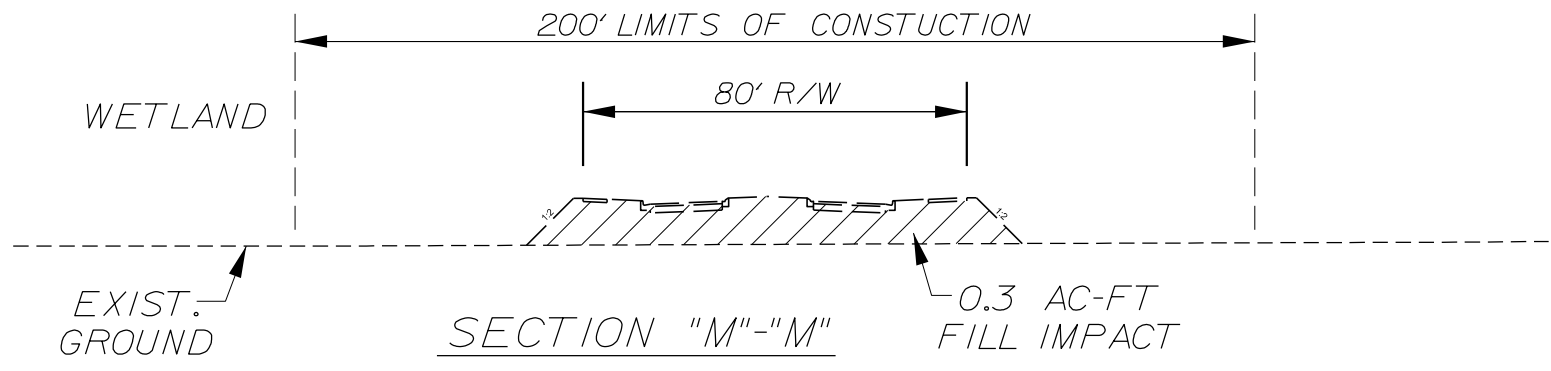
5

 FILL IMPACT AREA

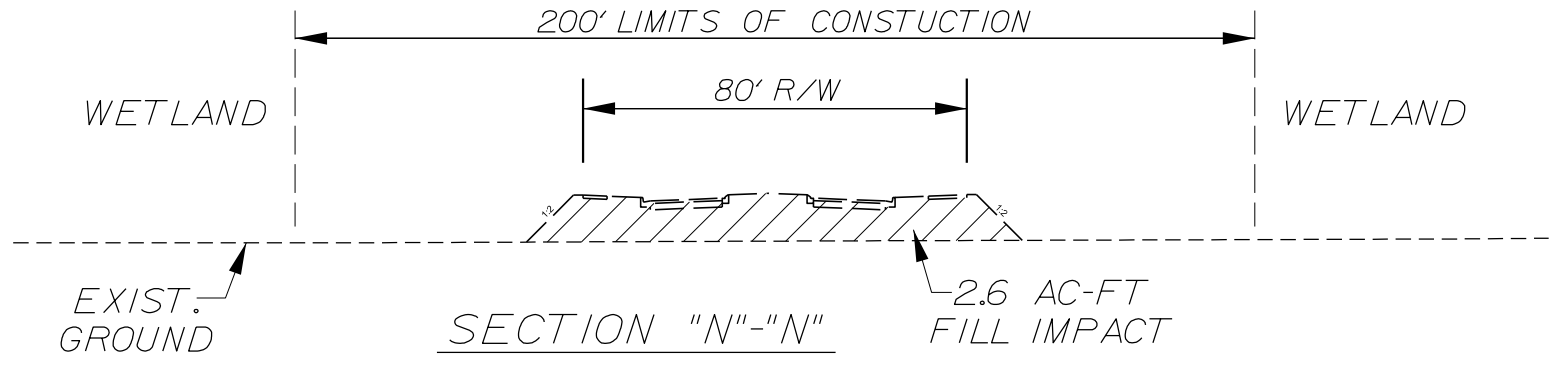


Dewberry Engineers Inc.
800 NORTH MAGNOLIA AVE
SUITE 1000
ORLANDO, FL 32803
PHONE: 407.843.5120
ENGINEERING BUSINESS -8794

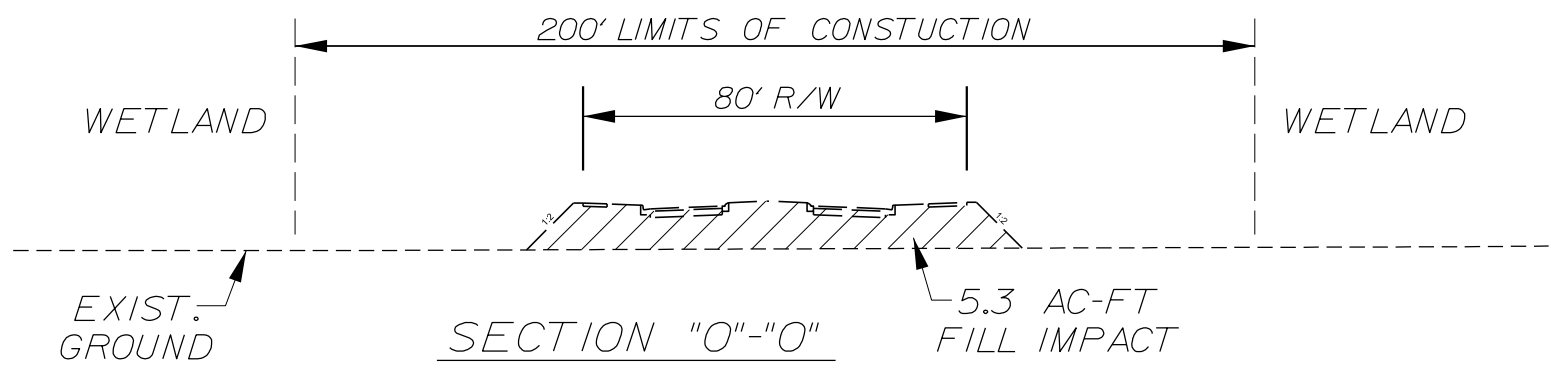
E



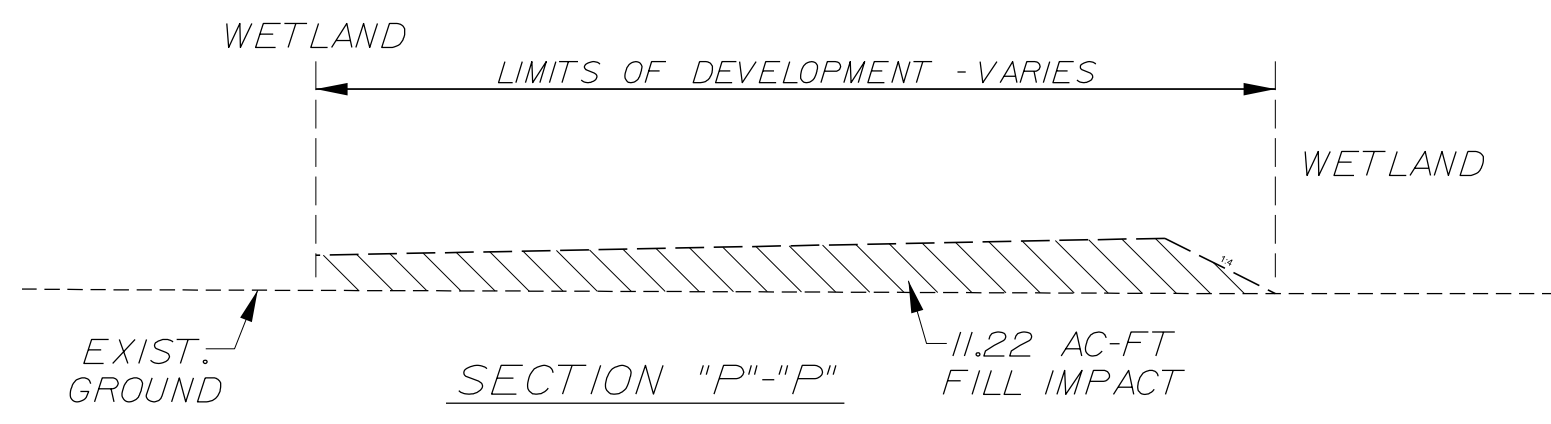
D



C



B



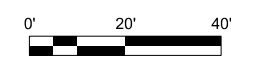
A

STARWOOD
ACOE WETLAND
IMPACT EXHIBITS
CITY OF ORLANDO, FLORIDA

6/21/2017

KEY PLAN

SCALE



REVISIONS

No.	DATE	BY	Description

PROJECT # 50088752
 DRAWN BY SKH
 APPROVED BY RMJ
 CHECKED BY RMJ
 DATE MARCH 2017
 DATUM NAVD 88

TITLE
ACOE ENVIRONMENTAL CROSS SECTIONS
 STAR-2/Environmental Cross-Sections
 SHEET NO.

9 OF 10

10:02:19 AM ...\\STAR2\ACOE\PH1-3 X-Section-04.dgn

1

2

3

4

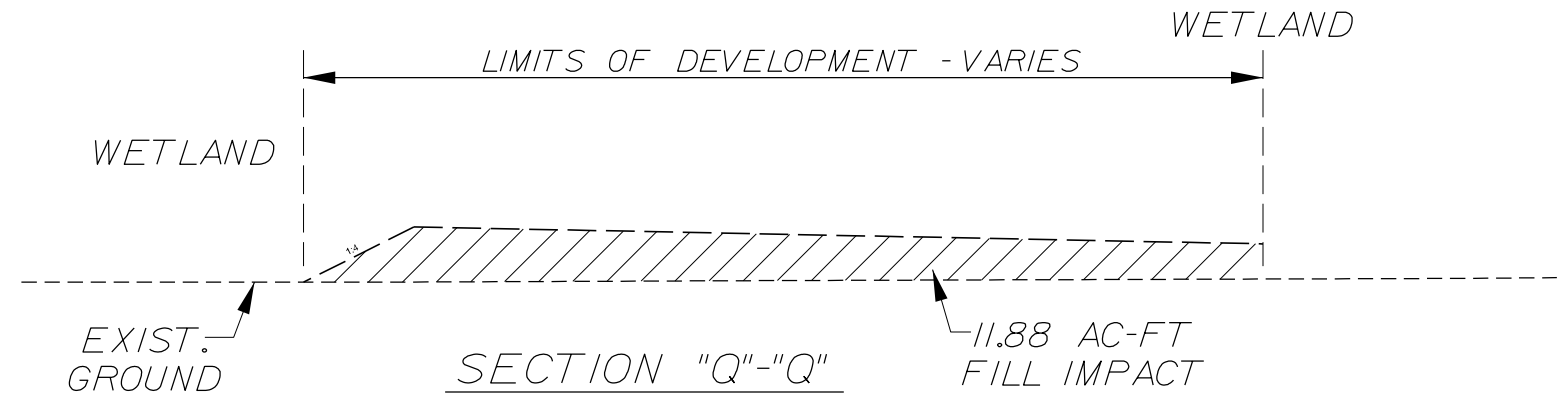
5

 FILL IMPACT AREA

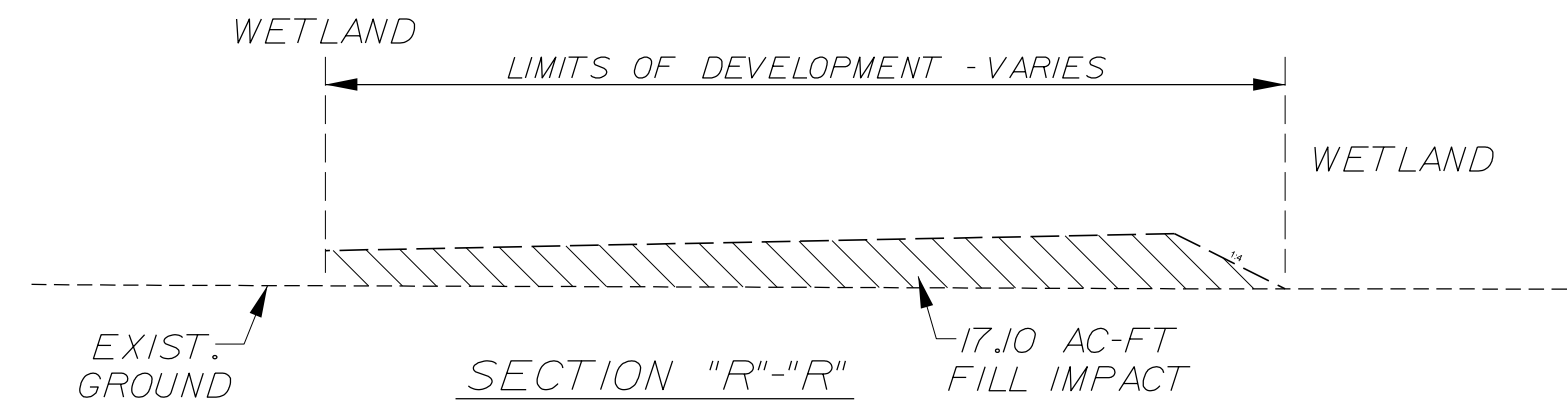


Dewberry Engineers Inc.
800 NORTH MAGNOLIA AVE
SUITE 1000
ORLANDO, FL 32803
PHONE: 407.843.5120
ENGINEERING BUSINESS -8794

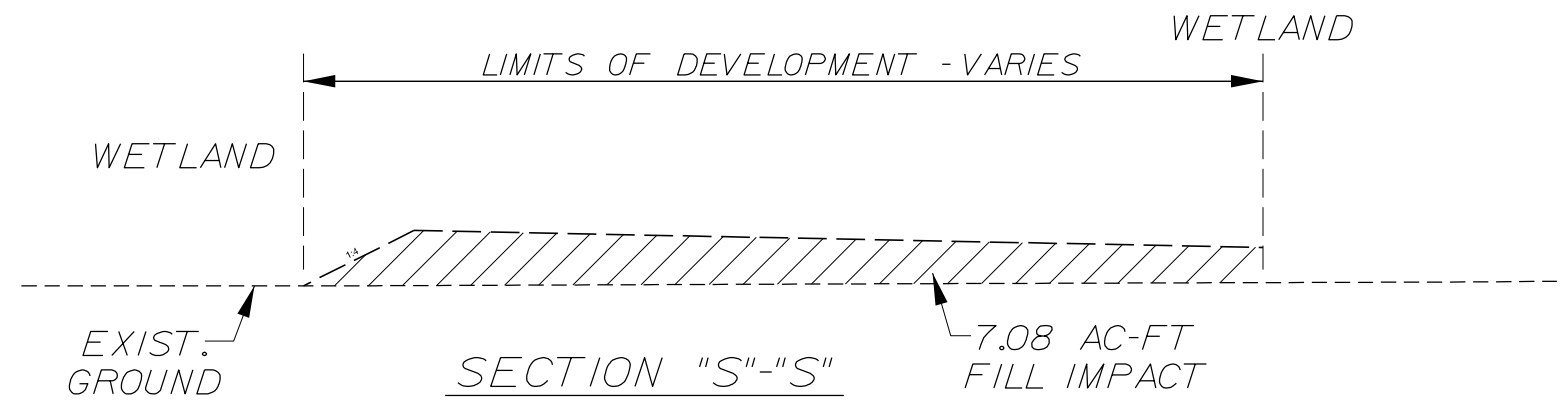
E



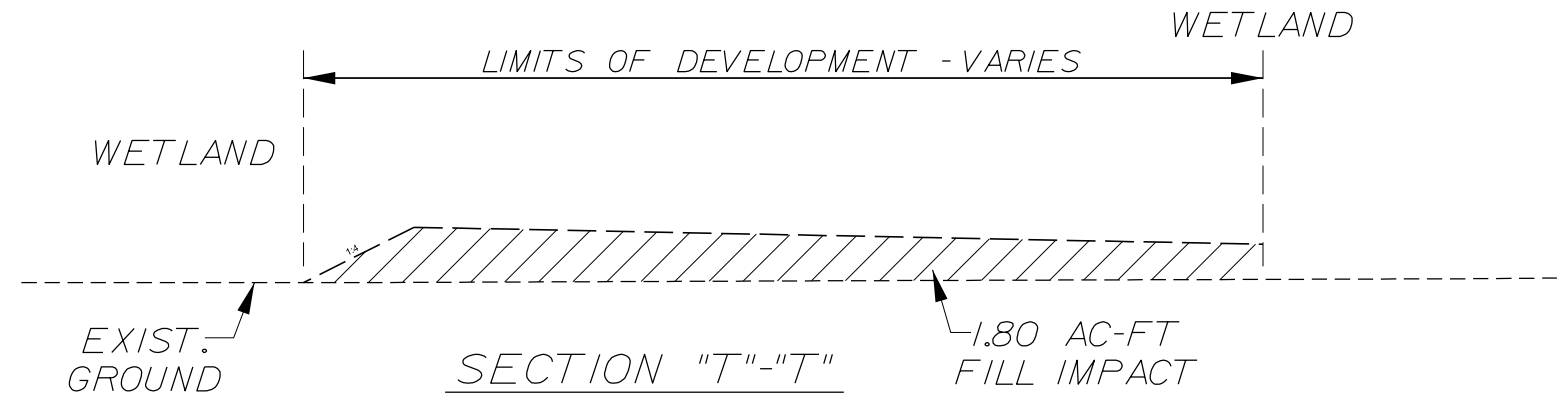
D



C



B



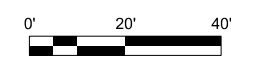
A

STARWOOD
ACOE WETLAND
IMPACT EXHIBITS
CITY OF ORLANDO, FLORIDA

6/21/2017

KEY PLAN

SCALE



REVISIONS

No.	DATE	BY	Description

PROJECT # 50088752
 DRAWN BY SKH
 APPROVED BY RMJ
 CHECKED BY RMJ
 DATE MARCH 2017
 DATUM NAVD 88

TITLE
ACOE ENVIRONMENTAL CROSS SECTIONS
 STAR-2/Environmental Cross-Sections
 SHEET NO.

10 OF 10

10:02:20 AM ...\\STAR2\ACOE\PH1-3 X-Section-05.dgn